



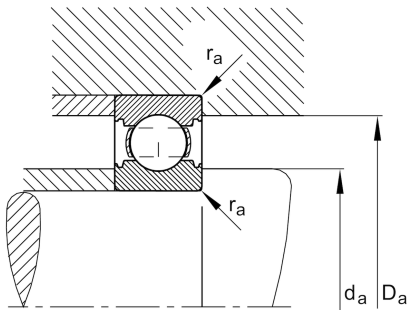
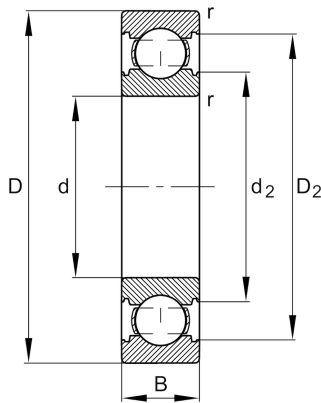
FAG

6001-C

Deep groove ball bearing

Schaeffler ID:
0954045890000Deep groove ball bearing 60..-C, single
row, Generation C, steel sheet metal cage

Technical information

**Dimensions**

r_{\min}	0.3 mm	Minimum chamfer dimension
D_2	25.1 mm	Caliber diameter outer ring
d_2	15.7 mm	Caliber diameter inner ring
	0.019 kg	Weight

Main Dimensions & Performance Data

d	12 mm	Bore diameter
D	28 mm	Outside diameter
B	8 mm	Width
C_r	5,900 N	Basic dynamic load rating, radial
C_{0r}	2,370 N	Basic static load rating, radial
C_{ur}	164 N	Fatigue load limit, radial
n_G	42,500 1/min	Limiting speed
n_{gr}	26,000 1/min	Reference speed

Mounting dimensions

$d_{a \min}$	14 mm	Minimum diameter shaft shoulder
$D_{a \max}$	26 mm	Maximum diameter of housing shoulder
$r_{a \max}$	0.3 mm	Maximum fillet radius

Calculation factors

f_0	13.1	Calculation factor
-------	------	--------------------

Temperature range

T_{\min}	-30 °C	Operating temperature min.
T_{\max}	120 °C	Operating temperature max.